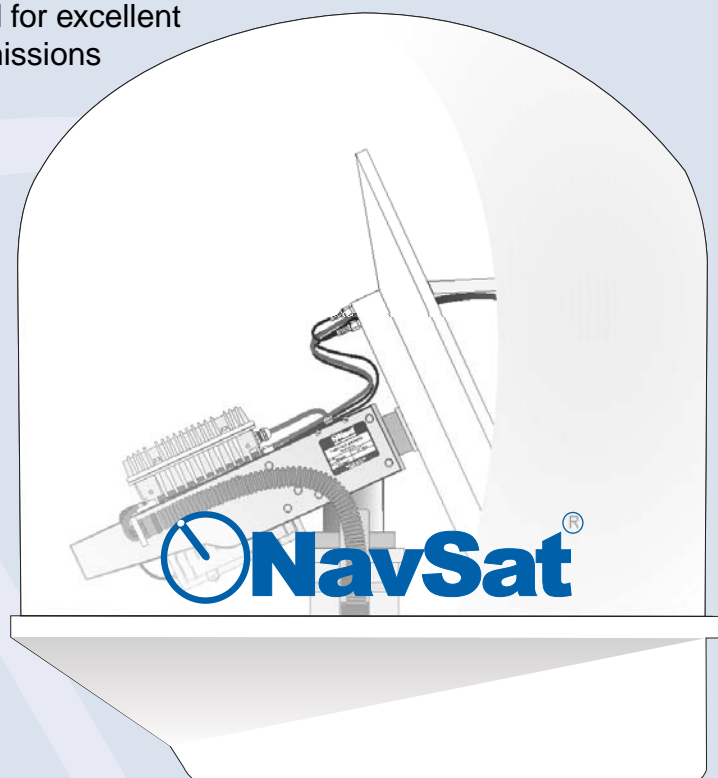


# Satellite Antenna NavSat® 90

The NavSat® 90 is an antenna designed for excellent reception of Ku-band TV-satellite transmissions aboard ships. To ensure durability in a marine environment, the antenna's supporting structure is in anodized aluminum and the reflector in glass/carbon-fiber composite. CPU, tracking receiver and motor drivers are housed in plug-in, water-protected modules.

The antenna uses the ship's gyro and GPS to locate the correct satellite and thereafter locks on to it with an internal tracking system. Changing satellites, monitoring signal strength and tracking performance etc. is made via a PC with Windows 95, 98 or higher operating system.



## TECHNICAL SPECIFICATIONS

### (For standard configuration)

Antenna diameter:	0.90 m
Radome diameter:	1.1m
Weight:	40 kg
Included antenna wiring:	5 m (all cables)
LNB:	Ku-band, quatro
Minimum EIRP:	47 dBW
Azimuth range:	630°

### Ship's motions

Yaw/turn angular velocity:	25°/s
Yaw/turn angular acceleration:	12°/s <sup>2</sup>
Roll/pitch range:	±30°
Roll/pitch angular velocity:	25°/s
Roll/pitch angular acceleration:	16°/s <sup>2</sup> (±20° in 3.5 s)

Temperature range:	-20 to 60°C
Humidity:	0-100%
Wind speed:	50 m/s
Voltage:	24 V DC -10/+15%
Current:	3A RMS, 10A peak
Required input:	GPS and gyro in NMEA 0183 format

EMC:	EN 60945 EN 50083-2
------	------------------------



0308

Since 1971, the objective of Naval Electronics has been to offer the best possible products for TV and Radio reception at sea. Naval began with omnidirectional antennas and is the world leader in this field of technology today. Now, with an expanded product range, the name Naval means much more than antennas. Naval operates in more than 40 countries and has installations on thousands of vessels all over the world.

All specifications stated are subject to change without notice.



Marine Broadband Communication

Naval Electronics AB

Höjrodergatan 18, SE-212 39 Malmö, Sweden

Tel. +46(0)40-29 20 45. Fax +46(0)40-18 74 13

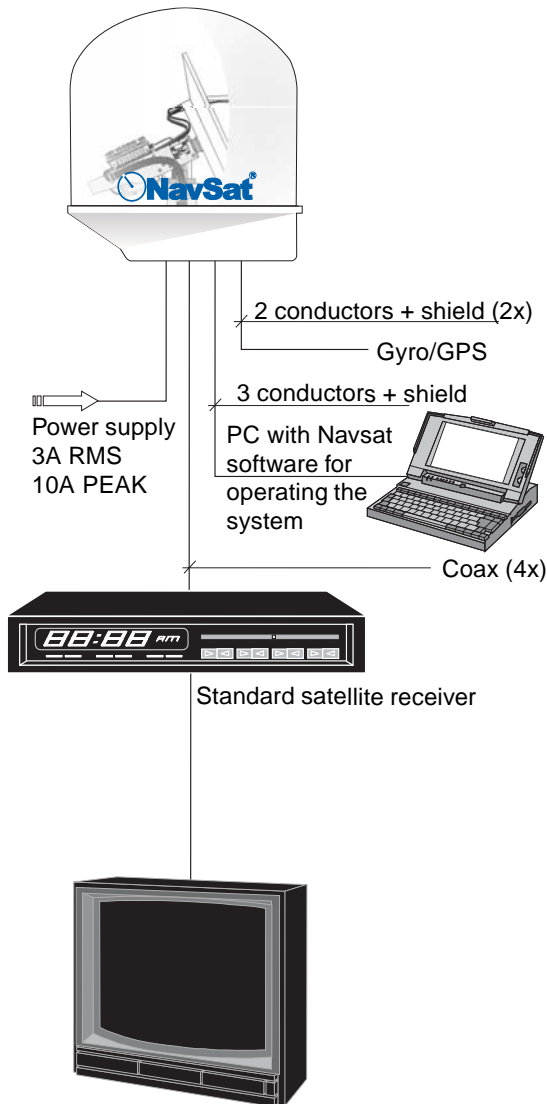
E-mail: sales@naval.se www.naval.se

3034

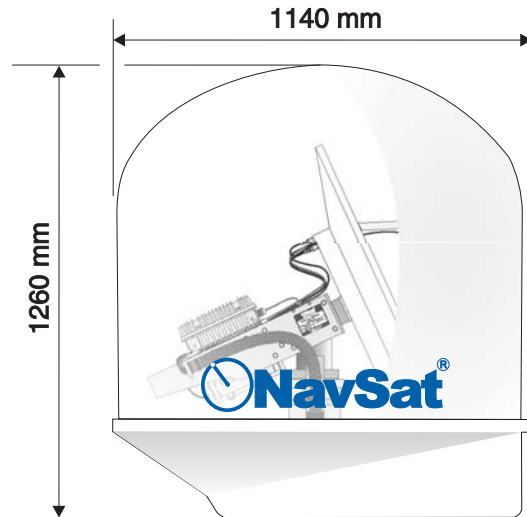
# Satellite Antenna NavSat® 90

## Standard Installation

For complete information about cable lengths and cable area please consult the Navsat Handbook



## Antenna overall size



## Mounting base (Rigidly constructed)

